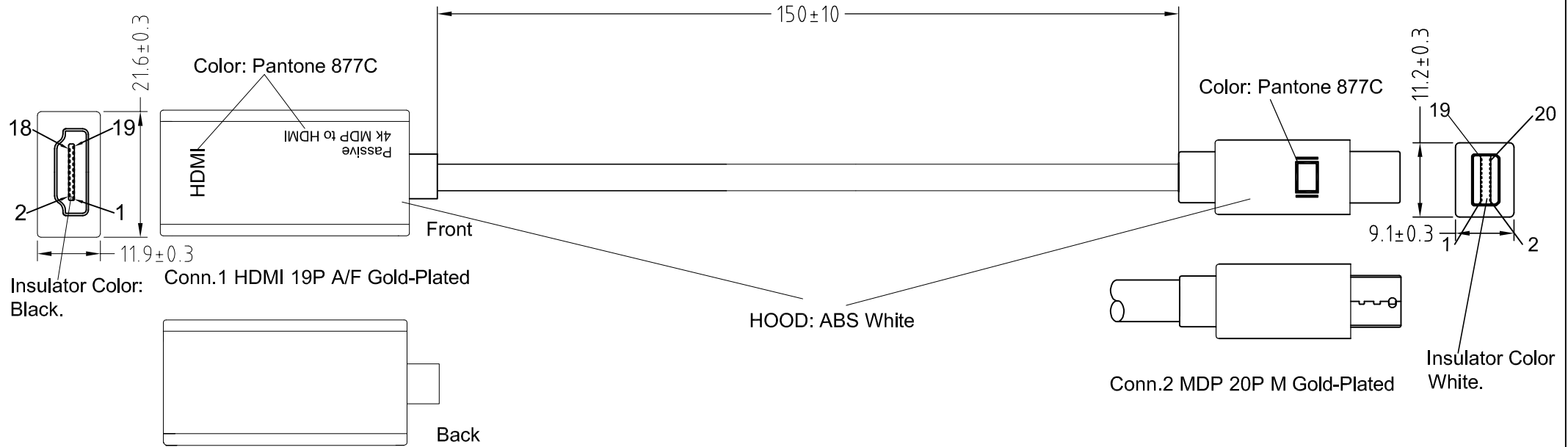


ROHS-COMPLIANT

LTR	REV.	DESCRIPTION	DATE
	A	NEW VER	20/07/16'



**Features:**

1. Compliant to the VESA DisplayPort Standard.
2. Supports DisplayPort™1, 2 and 4 lanes.
3. Supports full link training, fast link training and no link training.
4. HDMI 1.4 compliant with maximum data rate 3.0Gbps.
5. Content protection of HDCP 1.3 for DisplayPort™ and HDMI/DVI.
6. Supports 4k\*2k and 1080p Stereo 3D HDMI formats.
7. Low power consumption.
8. Housing Colour: White.

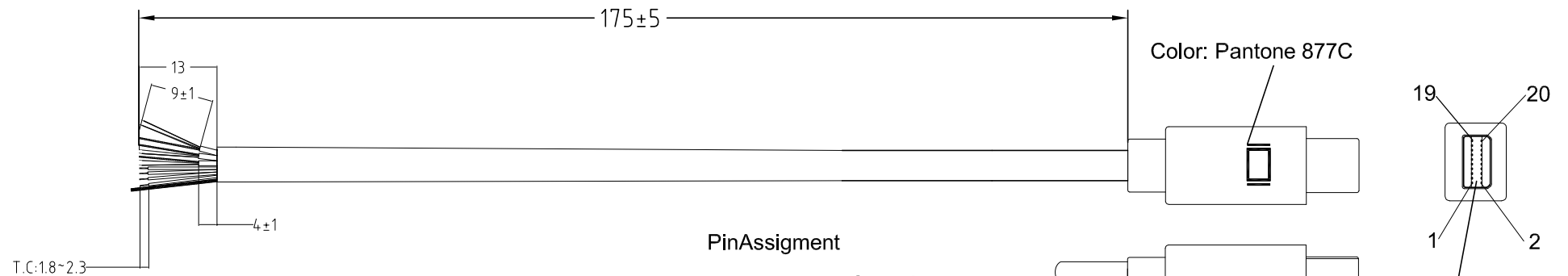
**PACKING:**

Each PC / ZIPBAG.

Tolerance Inch mm		<p style="text-align: center;"><b>Arvanics Corporation</b></p> <p style="text-align: center;">Title NDP-HDM-0015K</p>				
.X	.015   .30					
.XX	.010   .10					
.XXX	.005   .05	Customer P/N:				
Draw 20/07/16		App'd _____ Customer _____				
Check		Scale	NONE	Units	m/m	Third Angle Projection
Engr		Dwg No.			REV: A	Sheet 1/2

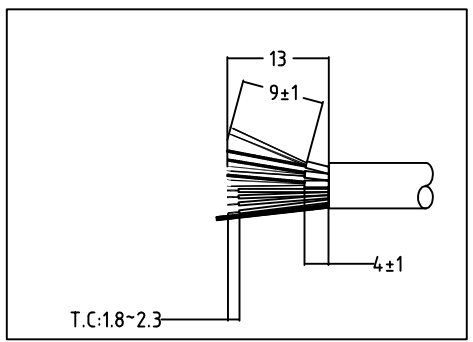
ROHS-COMPLIANT

LTR	REV.	DESCRIPTION	DATE
	A	NEW VER	20/07/16'



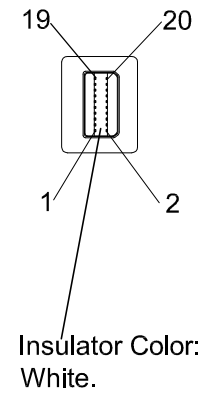
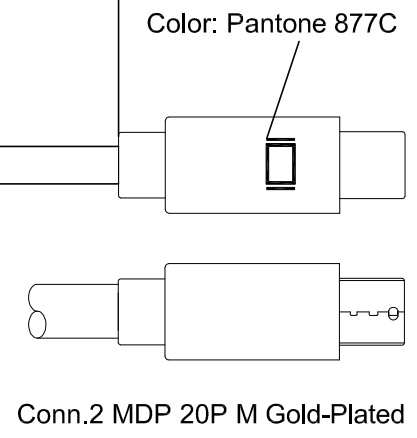
T.C:1.8~2.3

Conn.1 OPEN



PinAssignment

Conn.1	Conn.2
Open	GND 1
Open	3 WHITE
Open	5 RED
Open	GND 7
Open	9 WHITE
Open	11 GREEN
Open	GND 13
Open	15 WHITE
Open	17 BLUE
Open	19 GREEN
Open	2 PURPLE
Open	4 YELLOW
Open	6 WHITE
Open	GND 8
Open	10 WHITE
Open	12 BLACK
Open	GND 14
Open	16 WHITE
Open	18 BROWN
Open	20 RED
SHELL	SHELL



NOTE:

- CABLE:  
UL20276[(32AWG+D+AL/MYLAR)\*5P+  
32AWG\*4C+28AWG\*1C+AL+D(7/0.08BC)+B  
(16/7//0.12TC) PVC JACKED OD: 5.0mm,Color: White.
- CONNECTOR: Conn.2: MINI DISPLAYPORT MALE  
CONTACT: G/F SHELL: Gold-PLATED.
- TEST REQUEST:  
1. 100% OPEN SHORT & MIS-WIRE TEST.  
2. CONTACT RESISTANCE 3 ohm MAX.  
3. INSULATION RESISTANCE 10M ohm MIN.

Tolerance	Inch	mm
.X	.015	.30
.XX	.010	.10
.XXX	.005	.05

<b>Arvanics Corporation</b>					
Title <b>NDP-HDM-0015K</b>					
Customer P/N:					
App'd			Customer		
Scale	NONE	Units	m/m	Third Angle Projection	
Dwg No.				REV: A	Sheet 2/2

Draw	20/07/16
Check	
Engr	